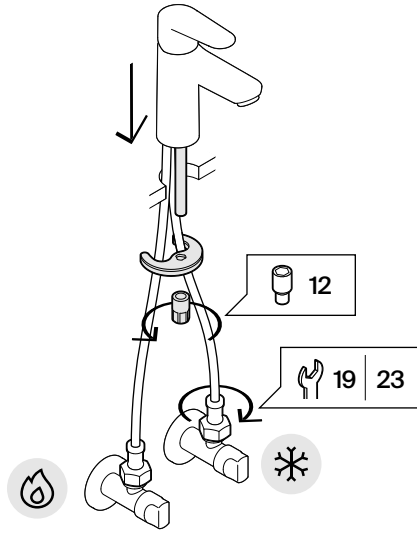
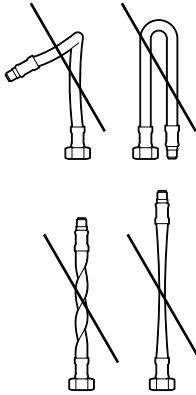
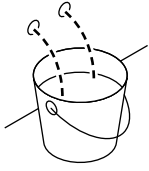


# Ona





**P**

bar



10 Max



5 Max



Min 1

3



**T**

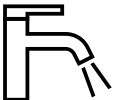
°C



80 Max



65  
50



**Q**

L/min

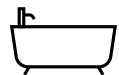
(3 bar)



5



8



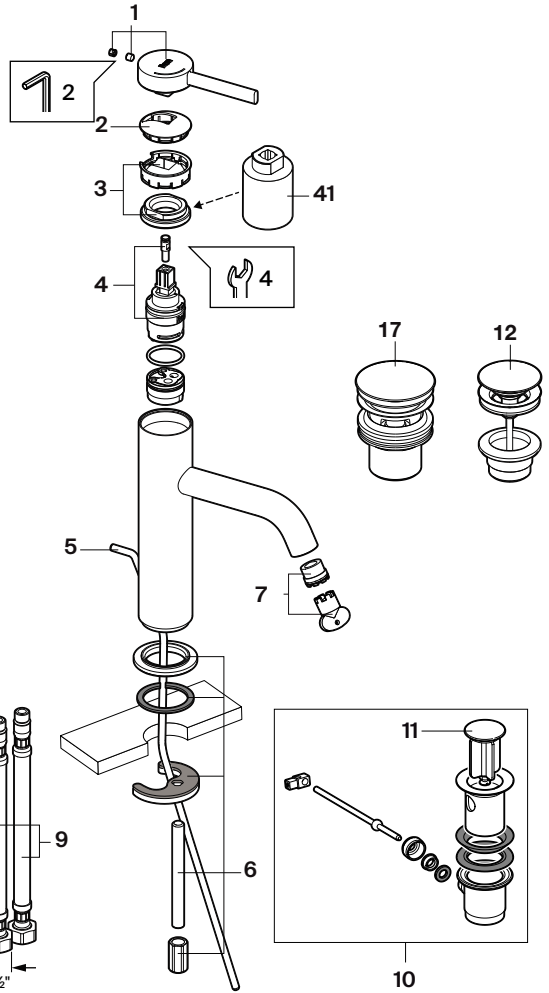
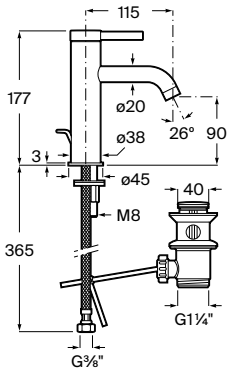
20



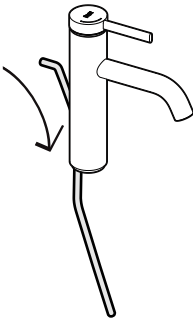
A5A309E  
A5A3A9E  
A5A3C9E



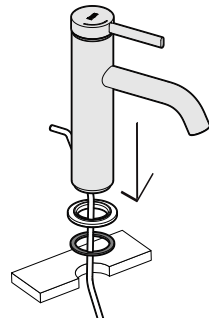
(mm)



1



2

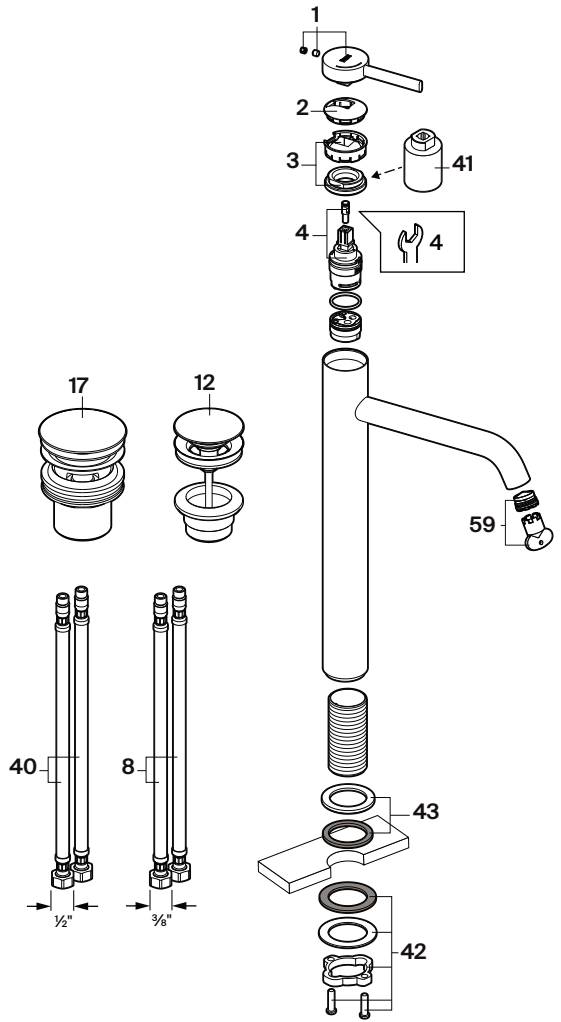
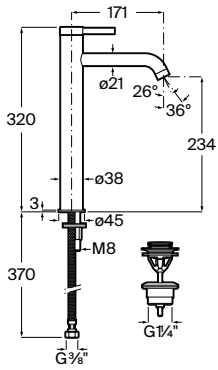




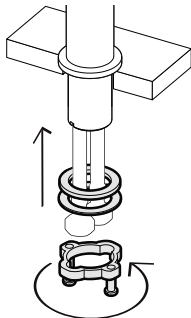
A5A349E



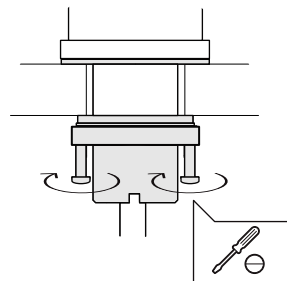
(mm)



1

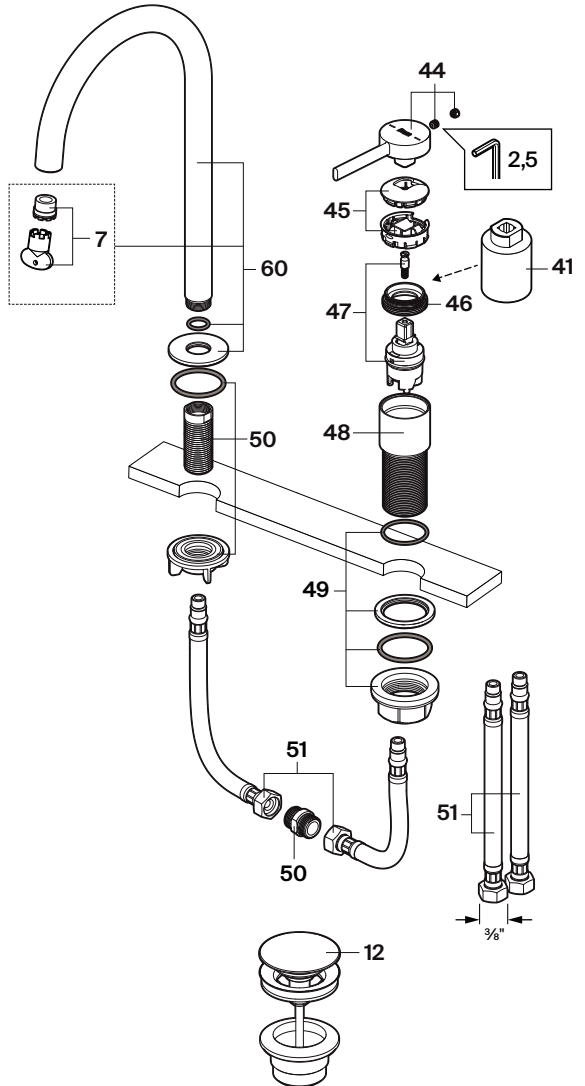
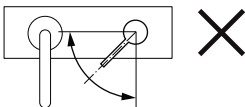
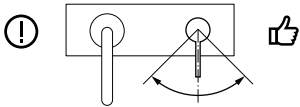
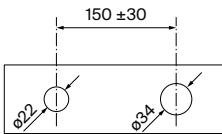
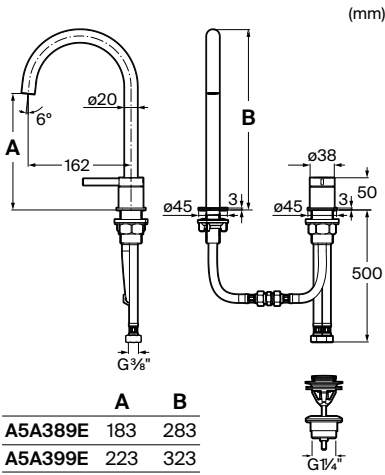


2



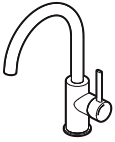


**A5A389E**  
**A5A399E**

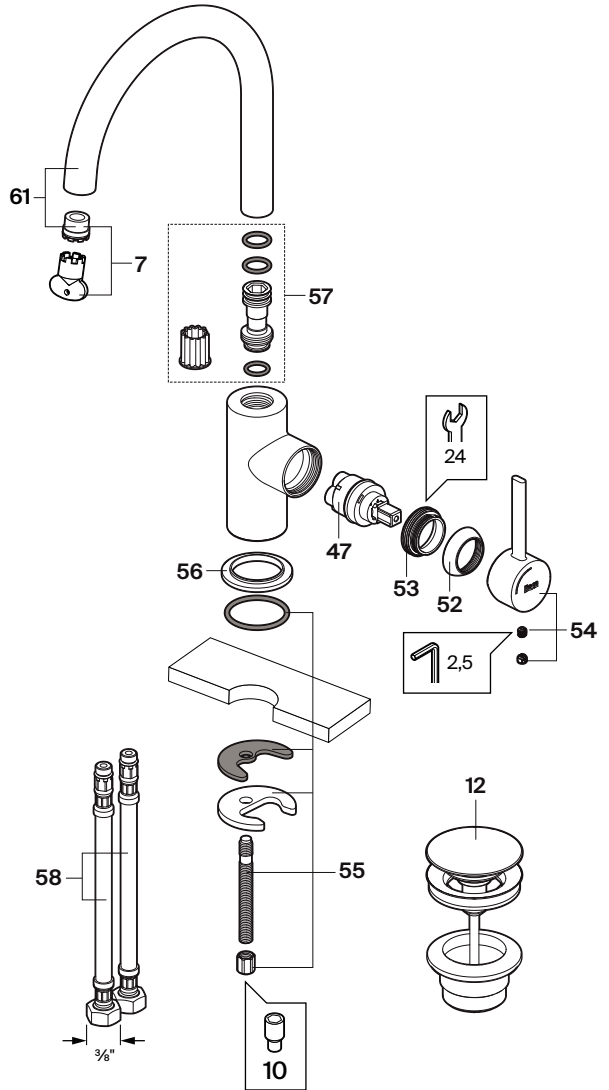
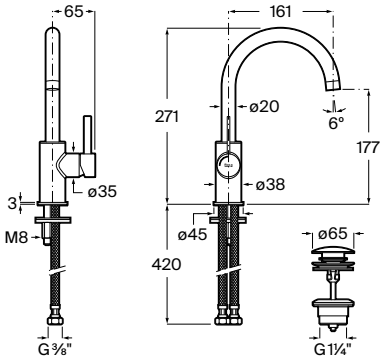




A5A4A9E



(mm)



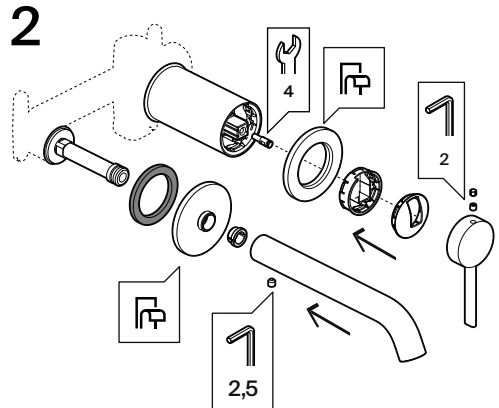
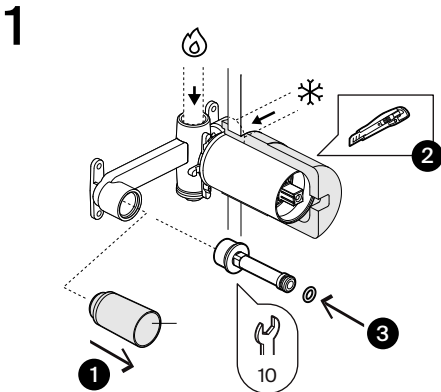
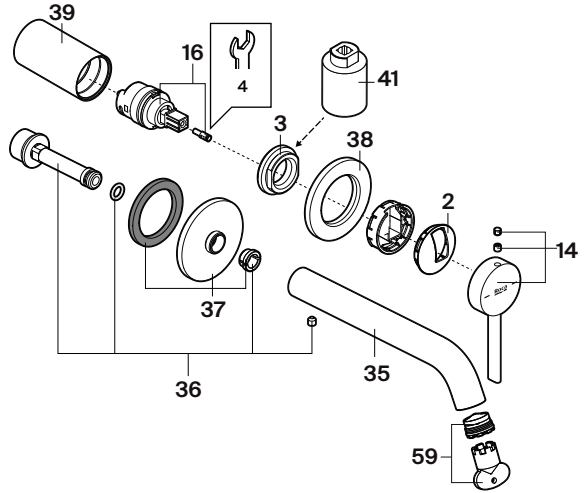
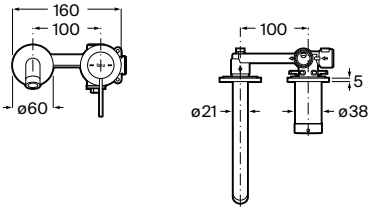
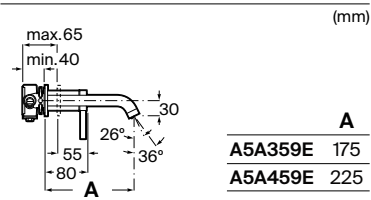
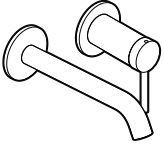


A5A359E

A5A459E



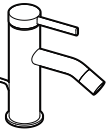
A5E3503..0



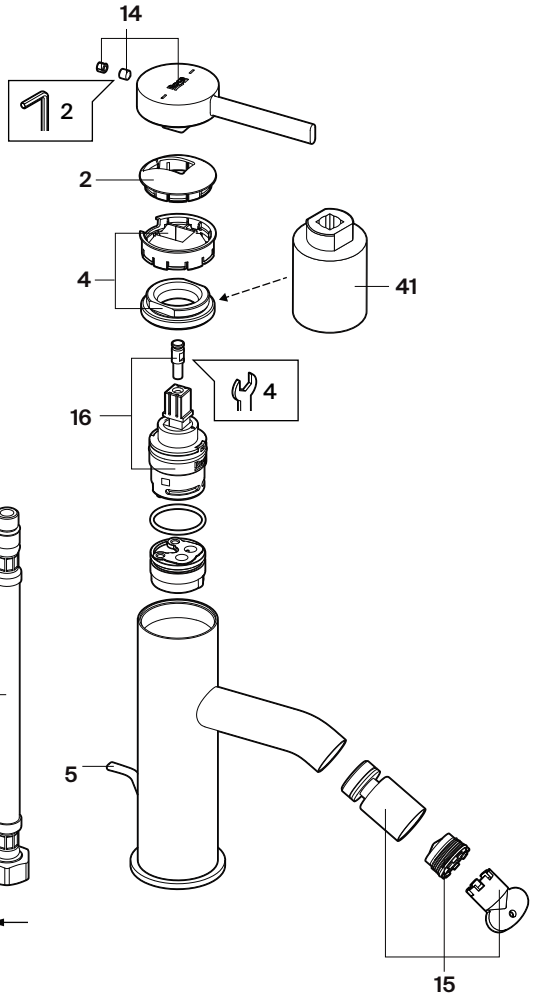
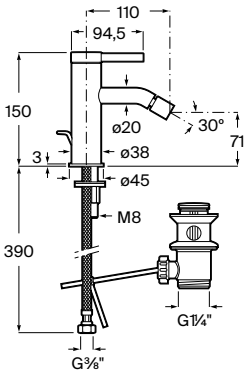


A5A609E

A5A629E



(mm)

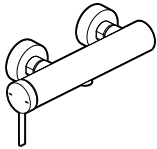




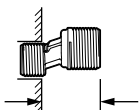
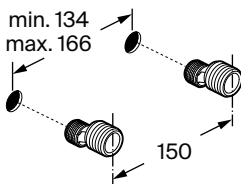
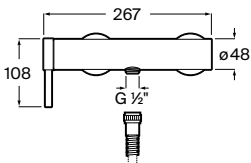
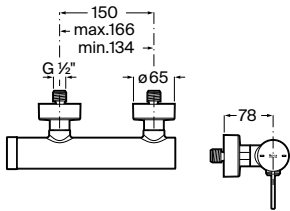


A5A209E

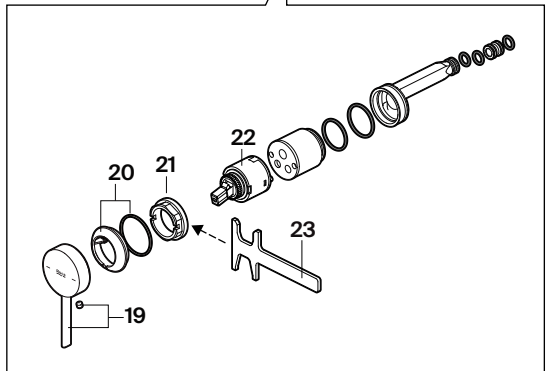
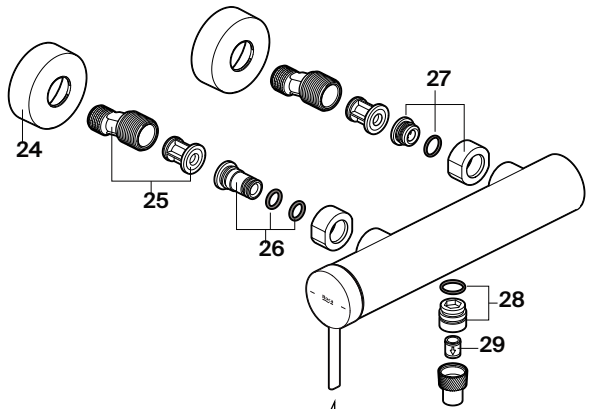
A5A219E



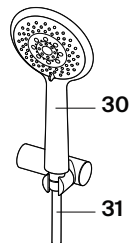
(mm)

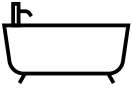


min. 33  
max. 35

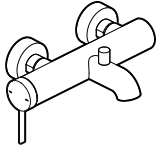


A5A209E

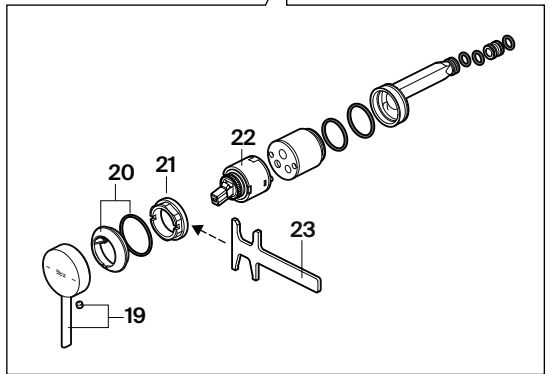
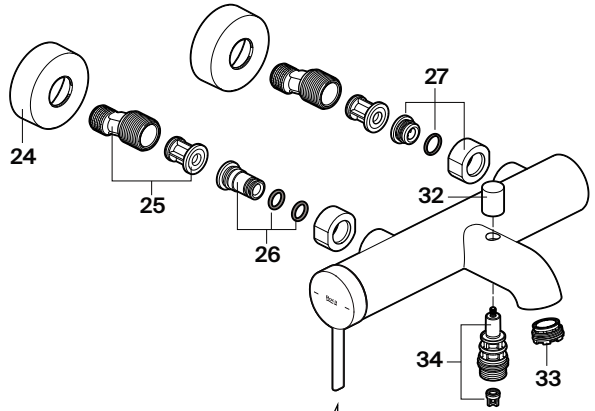
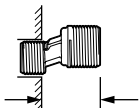
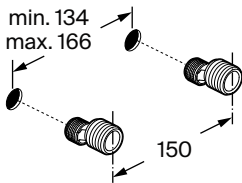
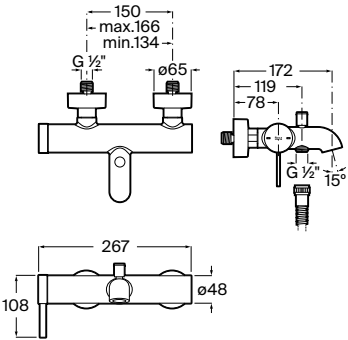




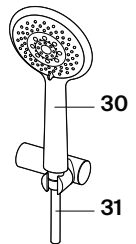
**A5A019E**  
**A5A029E**

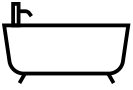


(mm)

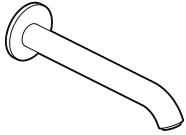


**A5A019E**

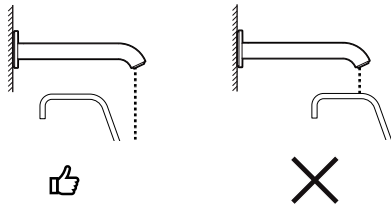
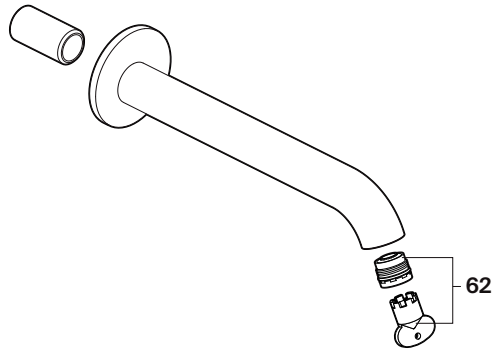
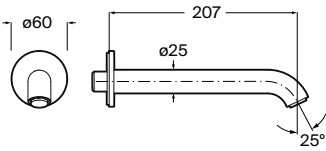
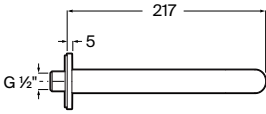




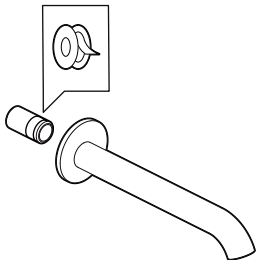
A5A089E



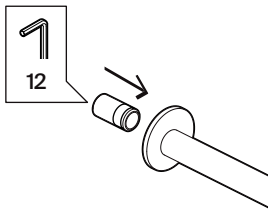
(mm)



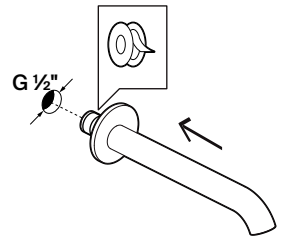
1

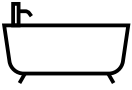


2

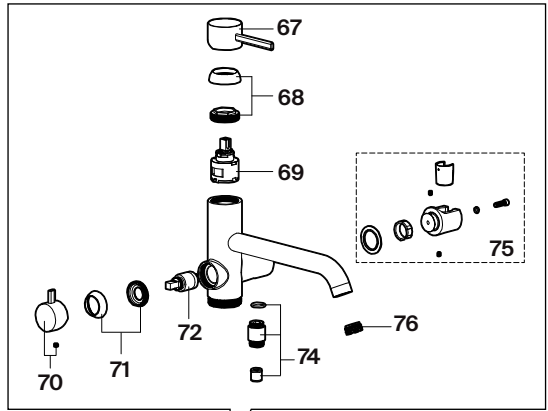
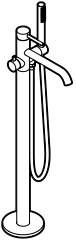


3

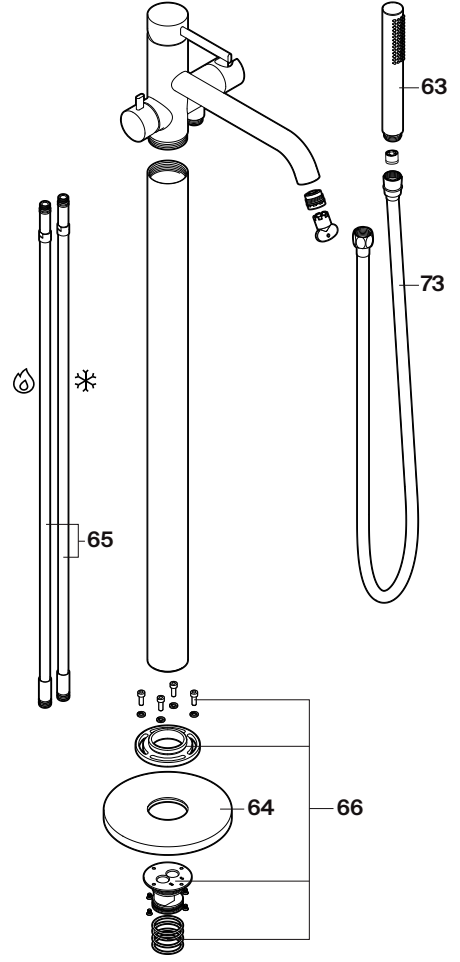
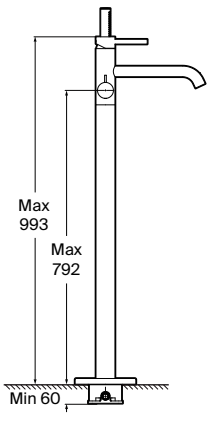
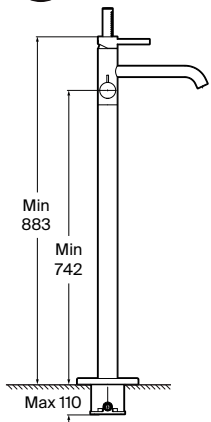
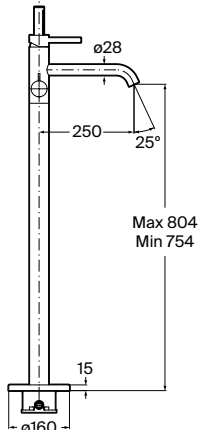
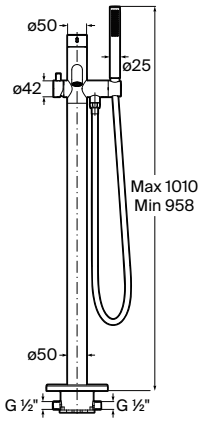




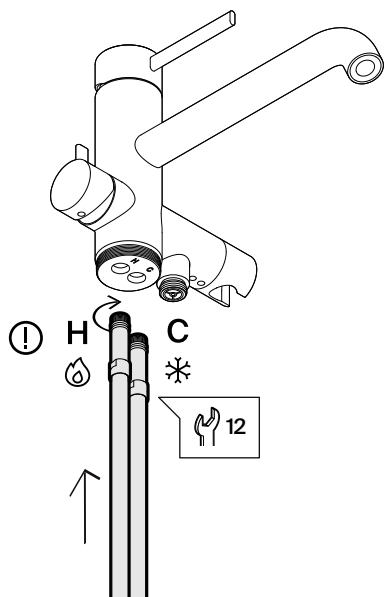
A5A279E



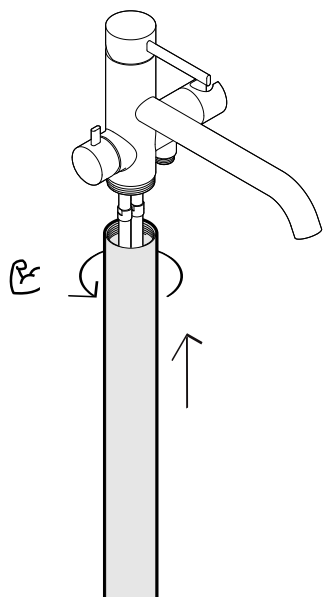
(mm)



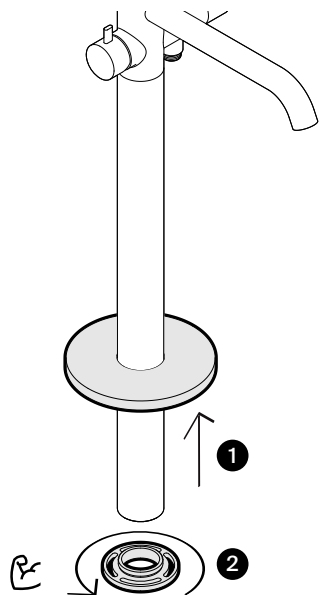
1



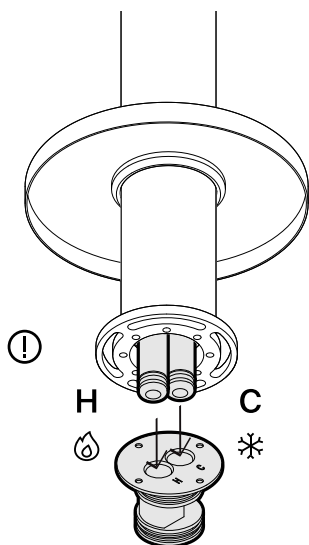
2



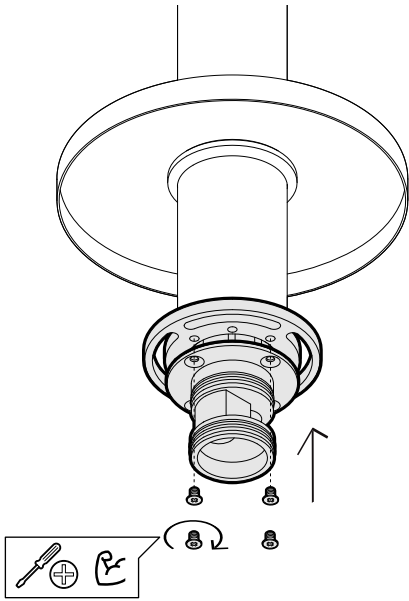
3



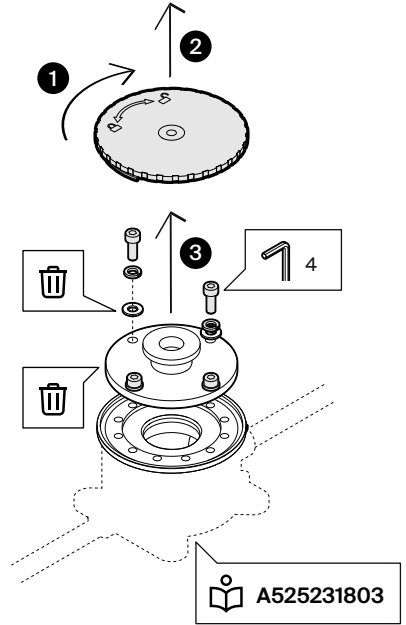
4



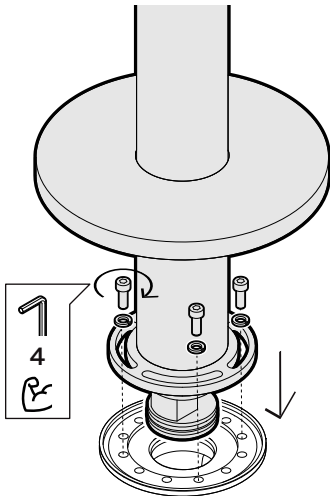
5



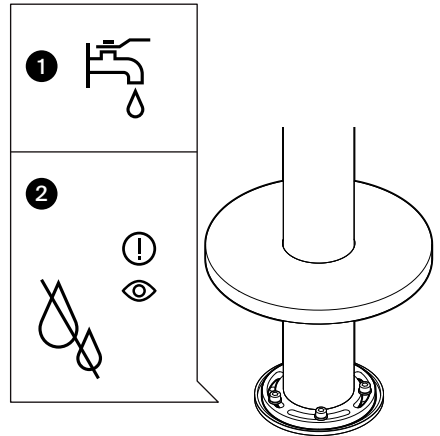
6



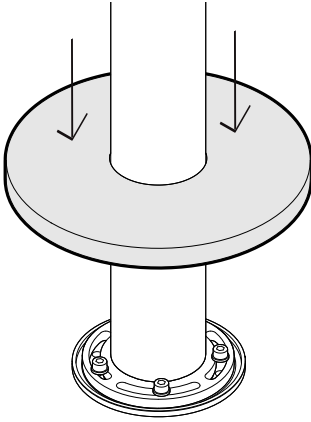
7



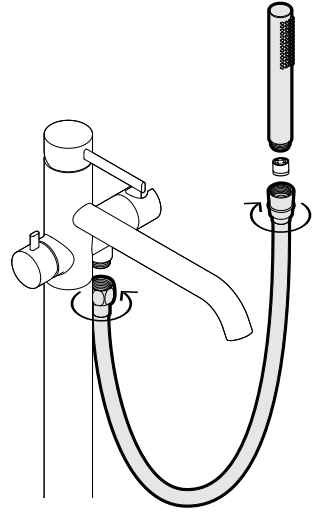
8



# 9



# 10



CÓDIGO / CODE

00000000

ACABADO / FINISH

→ [www.roca.com](http://www.roca.com)

1 - AG02298..R	
2 - AG02299..R	
3 - AG0230000R	
4 - AG0223200R	
5 - AG02233..R	
6 - AG02234..R	
7 - AG0122107R	
8 - AG0008009R	
9 - AG0103808R	
10 - AG00753..R	
11 - AG00962..R	
12 - A505400900	
13 - AG0230700R	
14 - AG02301..R	
15 - AG00323..R	
16 - AG0223600R	
17 - A505401000	chrome
- A5054015..	
18 - AG0223700R	
19 - AG02287..R	
20 - AG02166..R	
21 - AG0126303R	
22 - AG0110607R	
23 - A525087203	
24 - AG01168..R	2 un
25 - AG0103908R	2 un
26 - AG0126203R	2 un

27 - A525005200	chrome
- AG02131..R	
28 - AG0213000R	
29 - A525005507 2 un	
30 - A5B1107..0	
31 - A525009800	
32 - AG01167..R	
33 - AG0216400R	
34 - AG0116500R	
27 - AG02302..R	170mm
- AG02317..R	220mm
36 - AG0230300R	
37 - AG02304..R	
38 - AG02305..R	
39 - AG02306..R	
40 - AG0223800R	
41 - AG0244500R	
42 - AG0225400R	
43 - AG02317..R	
44 - AG02545..R	
45 - AG02546..R	
46 - AG0254700R	
47 - AG0245600R	
48 - AG02548..R	
49 - AG02549..R	
50 - AG02550..R	
51 - A525020409	

52 - AG02458..R	
53 - AG0245700R	
54 - AG02551..R	
55 - AG0246000R	
56 - AG02552..R	
57 - AG0245500R	
58 - AG0119708R	
59 - AG0243800R	
60 - AG02563..R	283mm
- AG02565..R	323mm
61 - AG02564..R	
62 - AG0145600R	
63 - A5B9B61..0	
64 - AG02577..R	
65 - AG0257800R	
66 - AG0257900R	
67 - AG02580..R	
68 - AG02581..R	
69 - AG0258200R	
70 - AG02583..R	
71 - AG02584..R	
72 - AG0258500R	
73 - AG02685..R	
74 - AG02586..R	
75 - AG02587..R	
76 - AG0085907R	

