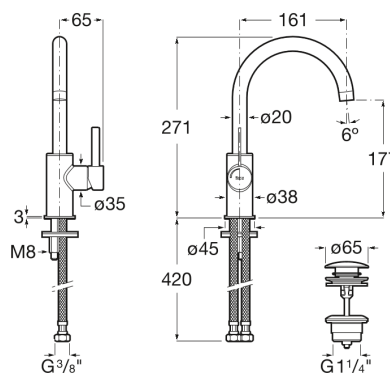


ONA

**Basin mixer with side handle and smooth body.  
Cold Start**



TECHNICAL DRAWINGS



**FEATURES**

Basin mixer with side handle, smooth body , click-clack waste and flexible supply hoses. Cold Start. L-Size.

Acoustic Level (dB): Group 1 (Up to 20 dB)

Aerator type: Honeycomb PCA

Annual energy consumption (kWh/p.a.): 301.21

Application place: Basin

Bi-nickel chrome

Click-clack waste

Faucet type: Single-lever

Flexible supply hoses included

Flow rate (l/min - 3 bar): 5

Installation type: Deck-mounted

Swivel spout

Type of cartridge: Ceramic

Waste type: Click-clack waste

Water and energy saving


Water connection thread: 3/8"



Evershine


FLOW RATE CHART

BOUGHT TOGETHER FREQUENTLY




Double wall-hung  
Fineceramic® basin

32768B..0




Wall-hung Fineceramic®  
basin

32768A..0




Asymmetric wall-hung  
Fineceramic® basin

327688..0




Asymmetric wall-hung  
Fineceramic® basin

327689..0




Wall-hung Fineceramic®  
basin

32768H..0




Wall-hung Fineceramic®  
basin

327687..0



Wall-hung Fineceramic®  
basin

327686..0



Unik - Base unit with four  
drawers and double basin

851694...



## Ona

Simple as nature. Ona pays homage to the diverse shapes of nature from our native Mediterranean. It is functional without ever appearing cold, with crisp aesthetics that follow the inherent warmth of the natural environment, made for those who enjoy the power of silent landscapes



INSTALLATION AND USER MANUALS



[Installation Handbook](#)