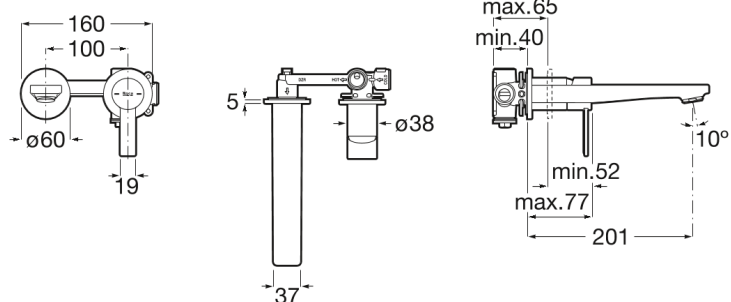


TARGA

Built-in basin mixer



TECHNICAL DRAWINGS



FEATURES

Built-in basin mixer. Waste not included. To be completed with built-in body A5E3503..0.

Acoustic Level (dB): Group 1 (Up to 20 dB)

Aerator type: Honeycomb PCA

Application place: Basin

Flow rate (l/min - 3 bar): 5

Installation type: Built-in

Type of cartridge: Ceramic

Waste type: Waste not included

Water and energy saving




Evershine



SoftTurn

BOUGHT TOGETHER FREQUENTLY



Built-in body for basin mixer

5E3503..0



Click-clack universal waste for basin/bidet. 1 1/4". Ø 65 mm plug

5054015..



Click-clack universal waste. Ø 65 chrome plug

505401000

## Targa

A proposal that can bring an air of freshness and originality to every corner. Slim and curvaceous, this series' singularity is seductive and its valiant functionality is ever so convincing.



INSTALLATION AND USER MANUALS

↓ [Installation Handbook](#)