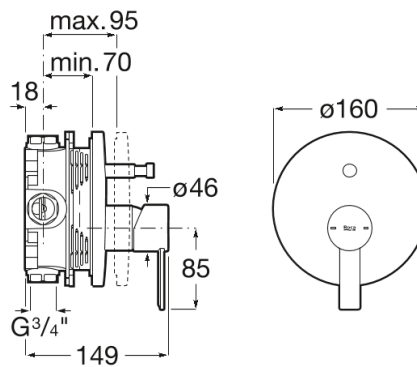


TARGA

Built-in bath-shower mixer (2 ways)



TECHNICAL DRAWINGS



FEATURES

Built-in bath-shower mixer (2 ways) with automatic diverter. To be completed with RocaBox A525869403.

Application place: Shower

Flow rate (l/min - 3 bar): 20

Installation type: Built-in

Type of cartridge: Ceramic



Evershine



SoftTurn

BOUGHT TOGETHER FREQUENTLY



Universal RocaBox for  
built-in installations.

525869403



## Targa

A proposal that can bring an air of freshness and originality to every corner. Slim and curvaceous, this series' singularity is seductive and its valiant functionality is ever so convincing.



### INSTALLATION AND USER MANUALS



[Installation Handbook](#)