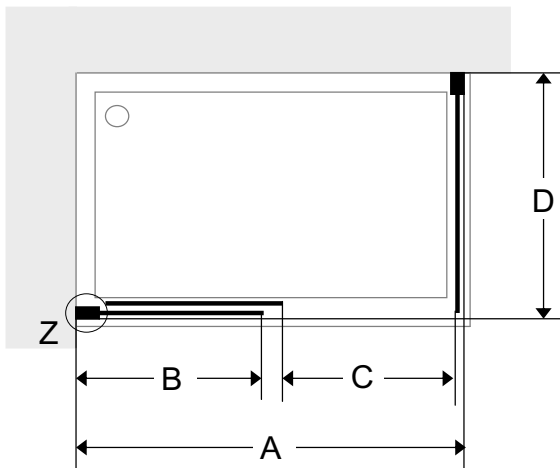
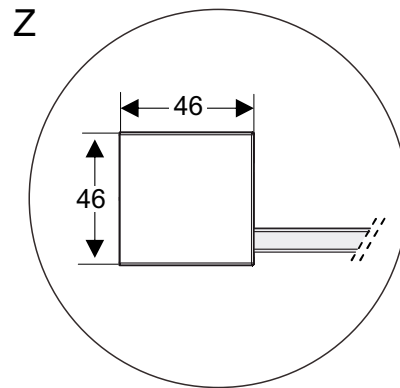
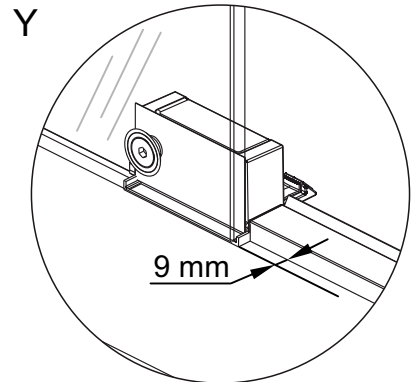
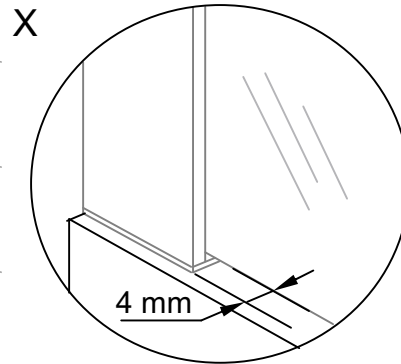
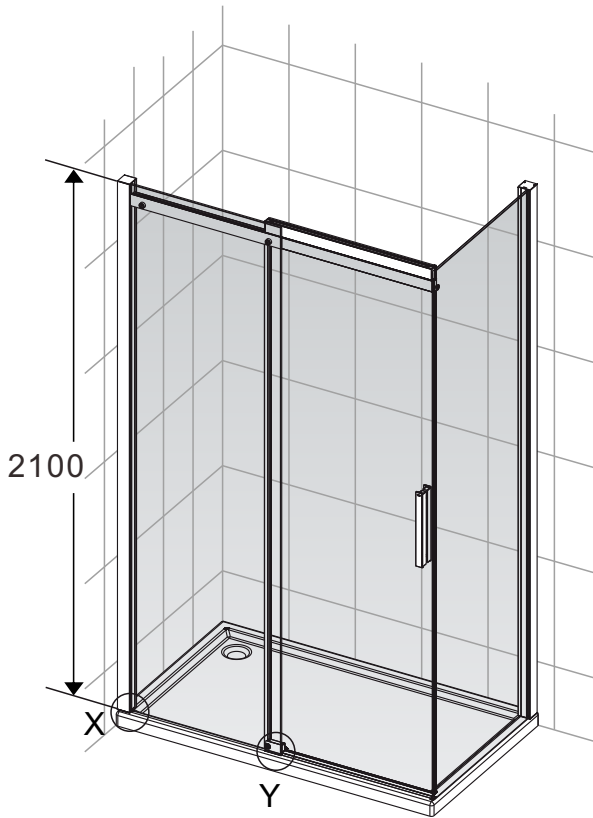


Aerea L2+LF



LF		D
D= 200,201...1000	Min.	D - 7
	Max.	D + 8

L2		A	B Approx	C
A=1170,1171.....2000	Min.	A-7	A÷2	$\frac{A-236}{2}$
	Max.	A+7		

Ejemplo/Example

A=1560

A Min=1560-7=1553

A Max=1560+8=1568

B=1560÷2=780

C=469

C=1560-236=1324

1324÷2=662

D=780

D Min=780-7=773

D Max=780+8=788